

Introduction

DRAGON WG-Series Wide grid ceiling system is a closed space design. Each panel is laid on the visible-runner frame. It may simplify the procedure of ceiling installation and uninstallation. The various combinations of different width of runner and size of panel makes outward appearance and design multiplex. Coordinates DRAGON special light fittings and air-diffusers can make the best performance in ceiling outwards.

產品介紹

天龍牌 WG-系列 闊骨天花系統是一種密閉式的天花設計，每件天花板均放置於明架式的框架之內，使安裝及拆卸更為簡便。不同闊度的龍骨與天花片的組合，令天花的外觀及款式更多元化。如配合天龍牌的專用燈具及風咀，可以令整體天花的外觀達致最佳的效果。

Panel

Pattern: Strip/Rectangular.
Materials: Aluminum alloy/Galvanized steel.
Feature: The four edges of panel is 90° squared design. (FIG. A)

天花片

外型：條型/長方形。
物料：鋁合金/鍍鋅鐵。
特徵：天花片的四邊90度直邊設計。(圖A)

Coating

Electrostatics powder-coating or Fluorocarbon with Pure white-2112 (RAL9010), Traffic white-2111 (RAL9016) or Standard white-2113 and many colour available.

表面處理

象牙白-2112 (RAL9010)、訊號白-2111 (RAL9016) 及標準白-2113的靜電粉末或氟碳噴塗及有其他不同的顏色可供選擇。



Suspension

In FIG. B, each panel is placed on the middle of two WG runners (WG-CR) which is hanged by the WG Runner clamp (WG-102) locating on the perforated L-angle (WG-101) by fitting screw rod. All of the suspension components made from galvanized steel.

吊掛系統

天花板放置於兩支WG龍骨(WG-CR)之間的位置，由WG主龍骨吊碼(WG-102)、有孔L型副龍骨(WG-101)及螺絲杆的組合，懸掛各支龍骨。所有吊掛系統組件之物料均選用鍍鋅鋼材。(圖B)

Perforation

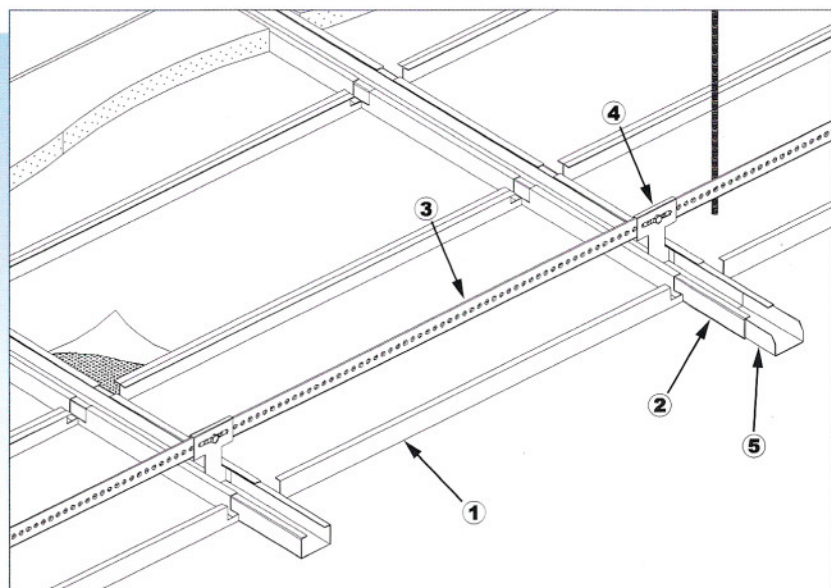
Many perforation patterns available.

佈孔形式

多款佈孔形式提供選擇。

Model No. 型號	Dimension 規格尺寸
WG-300	W300xLmm
WG-400	W400xLmm
WG-500	W500xLmm
WG-600	W600xLmm

Special dimension can be ordered according to the enquiry of Designers, Architects and Consultants. 可根據設計師、建築師及專業顧問的需求訂製該系列特別尺寸的天花產品。



Suspension Drawing : Wide Grid Ceiling System
吊掛示意圖：闊骨天花系統

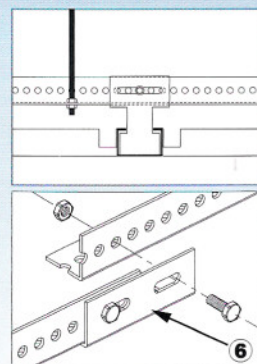


Fig.A
圖A

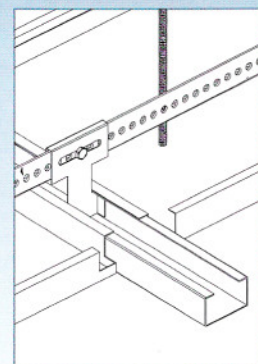


Fig.B
圖B

Wide Grid Ceiling System

1. Ceiling Panel
2. WG Main Runner (WG-CR)
3. Perforated L-angle (WG-101)
4. WG Runner Clamp (WG-102)
5. Main Runner Connector (WG-103)
6. Perforated L-angle Connector (WG-104)

闊骨天花系統

- 闊骨天花板
- WG主龍骨
- 有孔L型副龍骨
- WG主龍骨吊碼
- 主龍骨駁碼
- L型副龍骨駁碼