

Introduction

DRAGON UT-Series Tubeline ceiling system is a open space design. However, the suspension system is so simple that it is advantage of the installation of huge-area ceiling. In order to cooperate with the requirement of multiplication design, style and spacing of each panel can be provided custom ordering. It can be installed on the horizontal and vertical plane. The irregular ceiling design can be achieved like curved ceiling in order to promote a visual effect.

產品介紹

天龍牌 UT-系列 圓筒條型天花系統是一種開放式的天花設計，吊掛形式簡約，有利於面積較大的天花安裝。為配合多元化的設計素求，圓筒天花的安裝間距及款式設計，可按照實際情況需要而訂製。該系統的天花可於水平及垂直的平面組裝，亦可塑造出不規則天花的設計效果，如弧形天花等，提升視覺上的效果。

Panel

Pattern: linear, tubular section.

Materials: Aluminum alloy.

Feature: plain and custom panel length is also available for various design requirements. (FIG. A)

天花片

外型：條型、空心圓筒型。

物料：鋁合金。

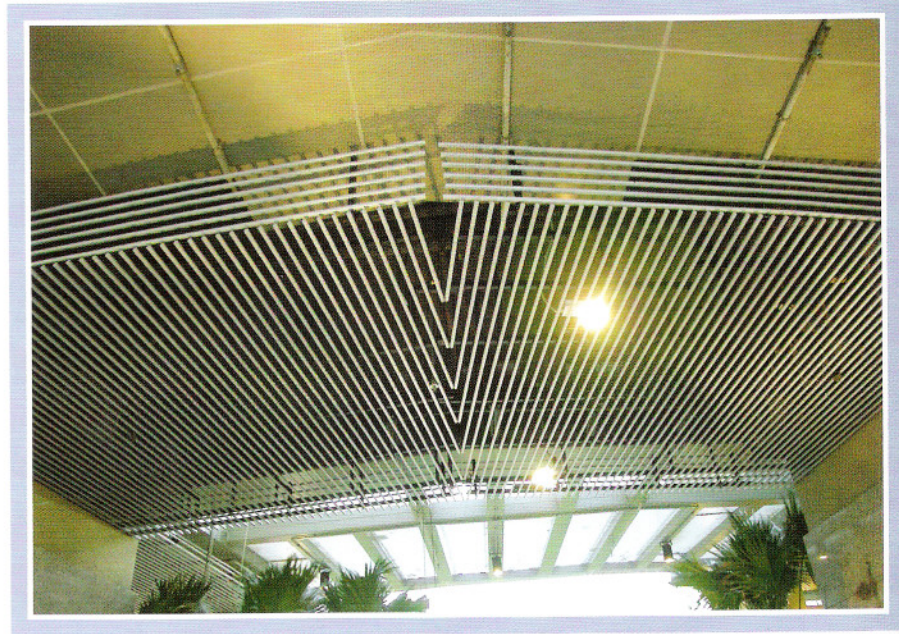
特徵：平面及天花片的長度可按不同的設計要求訂製。(圖A)

Coating

Electrostatics powder-coating or Fluorocarbon with Pure white-2112 (RAL9010), Traffic white-2111 (RAL9016) or Standard white-2113 and many colour available.

表面處理

象牙白-2112 (RAL9010)、訊號白-2111 (RAL9016) 及標準白-2113的靜電粉末或氟碳噴塗及有其他不同的顏色可供選擇。



Suspension

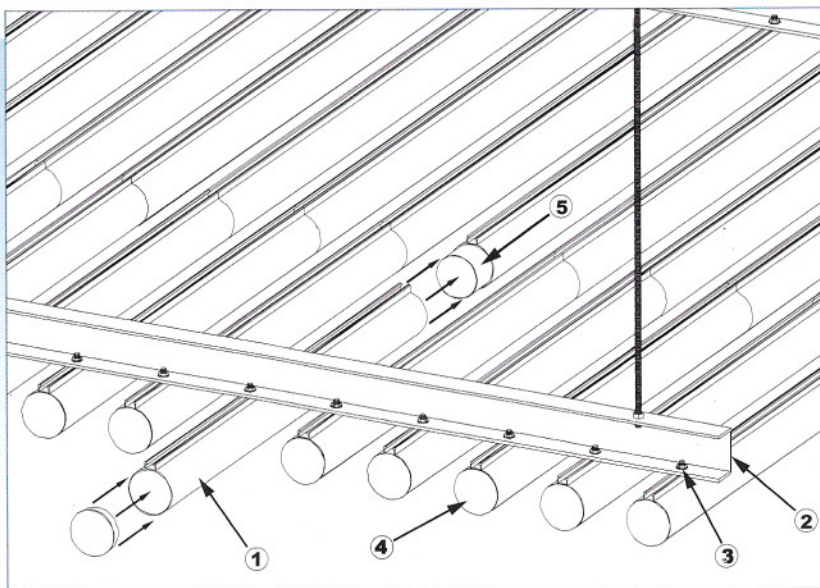
In FIG. A&B, the ceiling is suspended by Perforated carrier (UT-101) which is hanged by the screw rod. The distance between each runner is about 1200mm centre to centre. Bolts, Nuts and Rings (UT-102) are inserted to the long groove and directly fixing the tube at the back of the Perforated carrier. The runner made from either aluminum alloy or galvanized steel.

吊掛系統

圖A及圖B所示，天花主要由有孔C型龍骨(UT-101)配套螺絲杆懸掛整幅天花。每支龍骨的距離中至中為1200mm。把螺絲、絲母及介子(UT-102)套入圓筒上的長隙，便能夠直接把圓筒固定於龍骨的底部。龍骨之材料均選用鋁合金或鍍鋅鐵材料。

Model No. 型號	Dimension 規格尺寸
UT-30	DIA 30 x Lmm
UT-50	DIA 50 x Lmm

Special dimension can be ordered according to the enquiry of Designers, Architects and Consultants. 可根據設計師、建築師及專業顧問的需求訂製該系列特別尺寸的天花產品。



Suspension Drawing : Tubeline Ceiling System
吊掛示意圖：圓筒條型天花系統

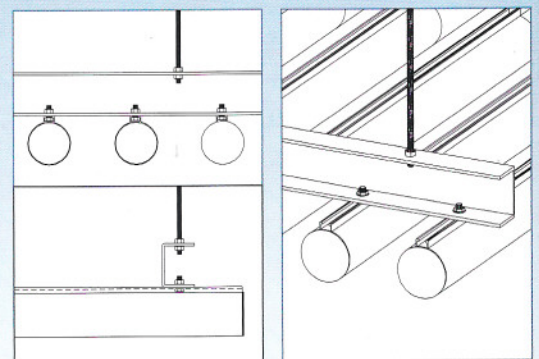


Fig.A
圖A

Fig.B
圖B

Tubeline Ceiling System	圓筒條型天花系統
1. Ceiling Tube	圓筒天花
2. Perforated Carrier (UT-101)	有孔C型龍骨
3. Bolts, Nuts and Rings (UT-102)	螺絲、絲及介子
4. End Cap (UT-301/UT-501)	封口蓋
5. Tube Connector (UT-302/UT-502)	圓筒天花駁嘴