

### Introduction

**DRAGON** UL-Series Baffle ceiling system is an open space design. The entire ceiling is suspended by the special-made unit. In order to cooperate with the requirement of multiplication design, length and spacing of each panel provide custom ordering. The ceiling installing on the vertical or curved surface is available. The panel is easy to be assembled and disassembled by human in order to simplify the further inspection of equipments.

### 產品介紹

**天龍牌** UL-系列 垂直條型掛式天花系統是一種開放式的天花設計，由特製的吊掛件懸掛整幅天花。為配合多元化的設計素求，天花板的間距及長度可按照不同需要而訂製，天花亦可於垂直或具弧度的平面安裝。天花的安裝及拆卸工序十分簡便，有利於後期的天花背後設備檢查及維修。

### Panel

Pattern: Long strip and Hollow cuboids.

Materials: Aluminum alloy.

Feature: The four edges of panel is squared design and the custom panel length is also available for various design requirements. (FIG. A)

### 天花片

外型：條形及空心長方體。

物料：鋁合金。

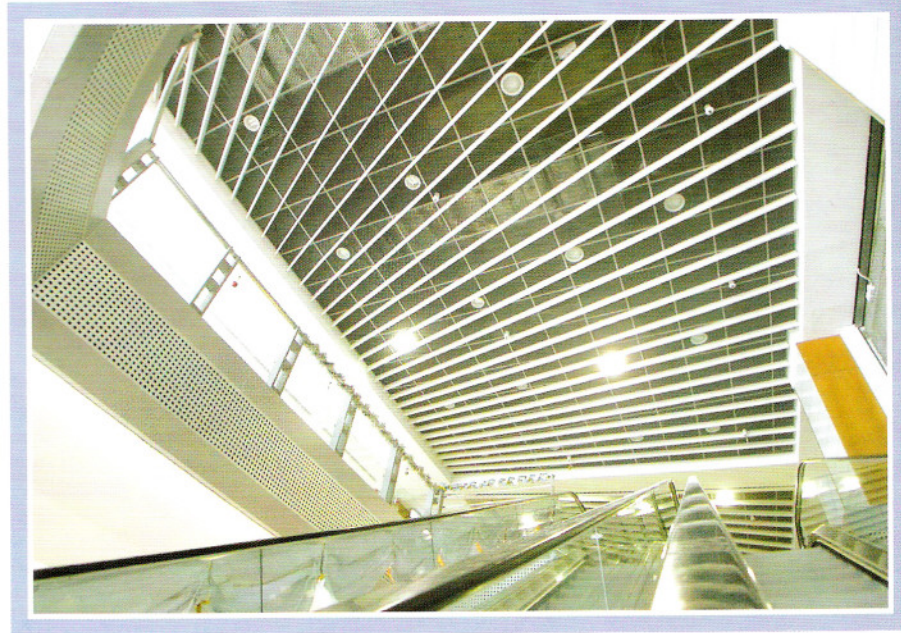
特徵：天花片的四角為90度直邊設計及天花片的長度可按不同的設計要求訂製。(圖A)

### Coating

Electrostatics powder-coating or Fluorocarbon with Pure white-2112 (RAL9010), Traffic white-2111 (RAL9016) or Standard white-2113 and many colour available.

### 表面處理

象牙白-2112 (RAL9010)、訊號白-2111 (RAL9016) 及標準白-2113的靜電粉末或氟碳噴塗及有其他不同的顏色可供選擇。



### Suspension

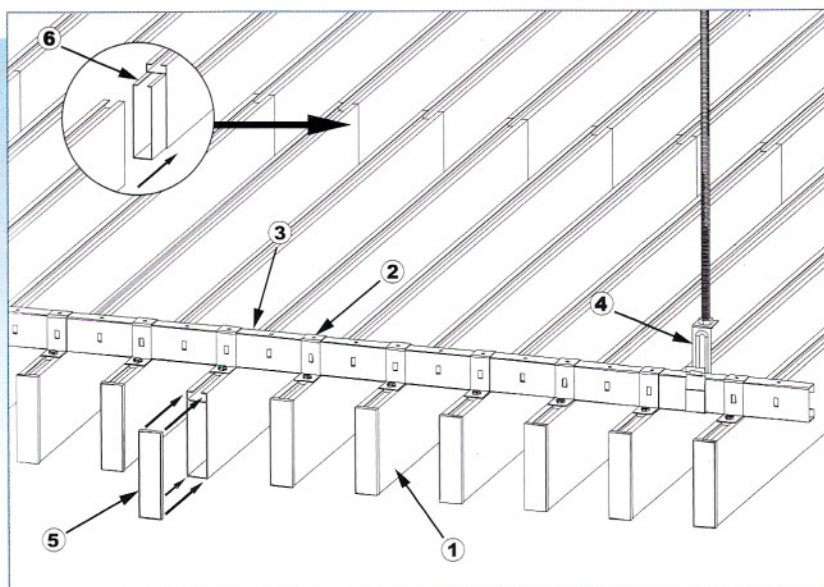
In FIG. B, the baffle is suspended by the Positioned carrier (UL-102). UL Bracket (UL-101) is locking each baffle under the carrier. The distance between each runner is 1200mm centre to centre. Installing the Runner Bracket (UL-103) with screw rod is to hang each carrier individually. All of the suspension units made from galvanized steel.

### 吊掛系統

圖B所示，主要由定位C型龍骨(UL-102)懸掛整幅條型天花，使用UL吊碼(UL-101)把各支條型天花扣於龍骨的底部。定位C型龍骨的中至中距離為1200mm，定位龍骨吊碼(UL-103)配套螺絲杆懸掛各支龍骨。所有吊掛系統配件之物料均選用鍍鋅鋼材。

Model No. 型號	Dimension 規格尺寸
UL-2550	W25xH50mm
UL-25100	W25xH100mm

Special dimension can be ordered according to the enquiry of Designers, Architects and Consultants. 可根據設計師、建築師及專業顧問的需求訂製該系列特別尺寸的天花產品。



Suspension Drawing : Baffle Ceiling System  
吊掛示意圖：垂直條型掛式天花系統

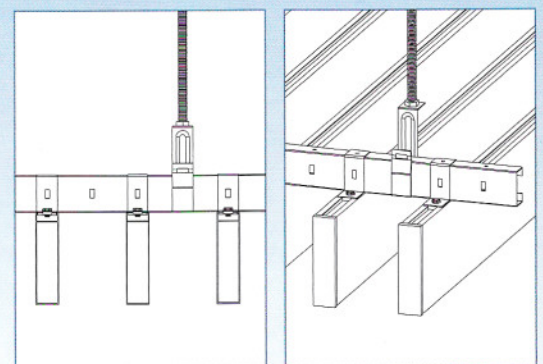


Fig.A  
圖A

Fig.B  
圖B

Baffle Ceiling System	垂直條型掛式天花系統
1. UL Ceiling Panel	UL 條型天花
2. UL Bracket (UL-101)	UL 吊碼
3. Positioned Carrier (UL-102)	定位C型龍骨
4. Carrier Bracket (UL-103)	定位龍骨駁碼
5. End Cap (UL-104)	封口蓋
6. Panel Connector (UL-162)	天花片駁碼