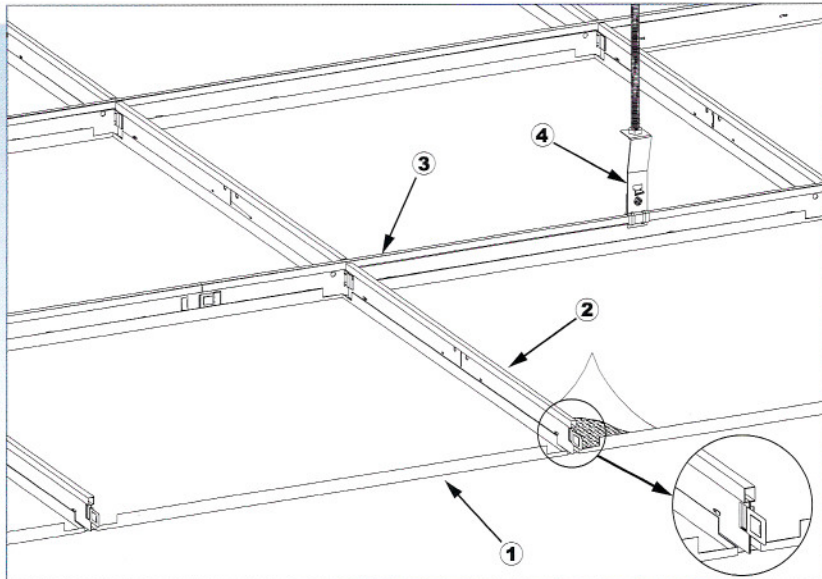


### Introduction

**DRAGON** P-Series 202 Lay-on ceiling system is one kind of united style design. Each panel is laid on the back of T-shape runner. This system is convenient to the panel assembling and disassembling. There are two different width of T-shape runner including 15 and 25mm (FIG. A). All of the suspension units made from galvanized steel (FIG. B).

### 產品介紹

天龍牌 P-系列 202 明架平放天花系統是一種活動式的天花設計，天花片平放於T型龍骨的背面之上，組裝及拆卸都十分簡便，龍骨的闊度分別有15及25mm (圖A)。所有吊掛系統配件之物料均為鍍鋅鋼材 (圖B)。



Suspension Drawing : 202 Lay-on Ceiling System  
吊掛示意圖 : 202 明架平放天花系統

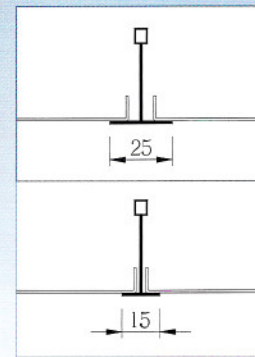


Fig.A  
圖A

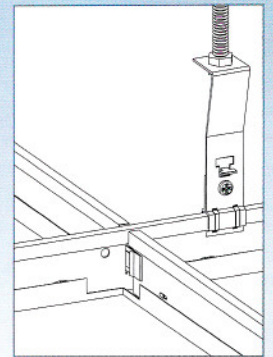


Fig.B  
圖B

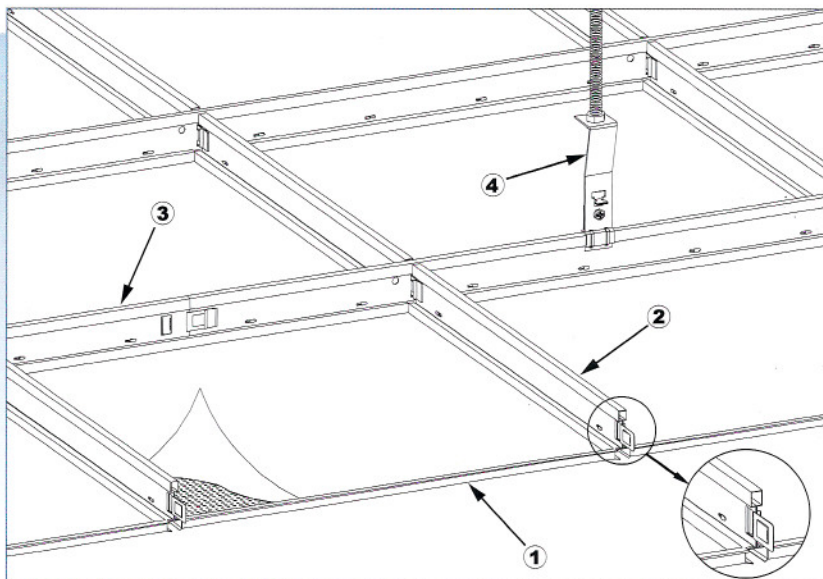
202 Lay-on Ceiling System	202 明架平放天花系統
1. Ceiling Panel	明架天花板
2. T-shape Cross Runner (T-2424)	T型副龍骨
3. T-shape Main Runner (T-2438)	T型主龍骨
4. T-Runner Bracket (P-102)	T型龍骨吊碼

### Introduction

**DRAGON** P-Series 203 Lay-in ceiling system is one kind of united style design. Each panel is laid on the back of Recessed T-shape runner. This system is convenient to the panel assembling and disassembling. The width of this runner is 14mm (FIG. A). The special design of the runner can make the visual effect of ceiling be more perfect (FIG. C). All of the suspension units made from galvanized steel (FIG. B).

### 產品介紹

天龍牌 P-系列 203 明架跌級天花系統是一種活動式的天花設計，天花板平放於凹陷T型龍骨的背面之上，組裝及拆卸均十分簡便，龍骨的闊度為14mm (圖A)。該系統的特色是凹陷龍骨的外形設計。整幅天花組合後可達到更完美的視覺效果 (圖C)。所有吊掛系統配件之物料均選用鍍鋅鋼材 (圖B)。



Suspension Drawing : 203 Lay-in Ceiling System  
吊掛示意圖 : 203 明架跌級天花系統

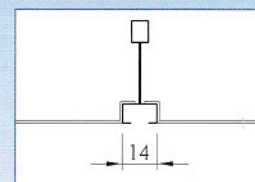


Fig.A  
圖A

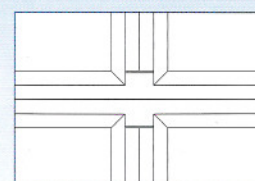


Fig.C  
圖C

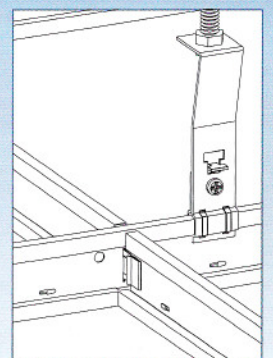


Fig.B  
圖B

203 Lay-in Ceiling System	203 明架跌級天花系統
1. Ceiling Panel	明架天花板
2. Recessed Cross T-Runner (T-2424U)	凹陷T型副龍骨
3. Recessed Main T-Runner (T-2438U)	凹陷T型主龍骨
4. T-Runner Bracket (P-102)	T型龍骨吊碼