

Introduction

DRAGON D-Series Linear Ceiling System is a closed space design. Each panel is suspended by the specific D-shape runner (D-101) tightly to hide a suspension parts at the back of the ceiling. There is 15mm width small gap after the ceiling installation which can prompt the visual effect (FIG. A). Coordinates DRAGON special light fittings and air-diffusers can make the best performance in ceiling outwards.

產品介紹

天龍牌 D-系列有縫條型天花系統是一種密閉式的天花設計，採用扣入式D型龍骨(D-101)，組成一幅隱閉式龍骨的平面天花。圖A所示整幅天花安裝後，每一件天花板之間造成一道闊15mm的長縫，增強了天花的視覺效果。如配合天龍牌的專用燈具及風咀，可以令整體天花的外觀達致最佳的效果。

Panel

Pattern: Strip / Rectangular.
Materials: Aluminum alloy/Galvanized steel.
Feature: The two edges of panel is 90° squared design.

天花片

外型：條型/長方形。
物料：鋁合金/鍍鋅鐵。
特徵：天花片的兩邊為90度直邊設計。

Coating

Electrostatics powder-coating with Pure white-2112 (RAL9010), Traffic white-2111 (RAL9016) or Standard white-2113 and many colour available.

表面處理

象牙白-2112 (RAL9010)、訊號白-2111 (RAL9016) 及標準白-2113的靜電粉末噴塗及有其他不同的顏色可供選擇。



Suspension

The ceiling is suspended by D-shape runner (D-101) which is fixed at the back of the C-channel (D-162). Runner clamp (D-102) is used to connect with them. All of the suspension units made from galvanized steel. (FIG. B)

吊掛系統

在圖B中，該系統主要由D型龍骨(D-101)懸掛整幅天花，使用D型龍骨吊碼(D-102)把D型龍骨扣於C型龍骨(D-162)的底部。所有吊掛系統配件之物料均選用鍍鋅鋼材。

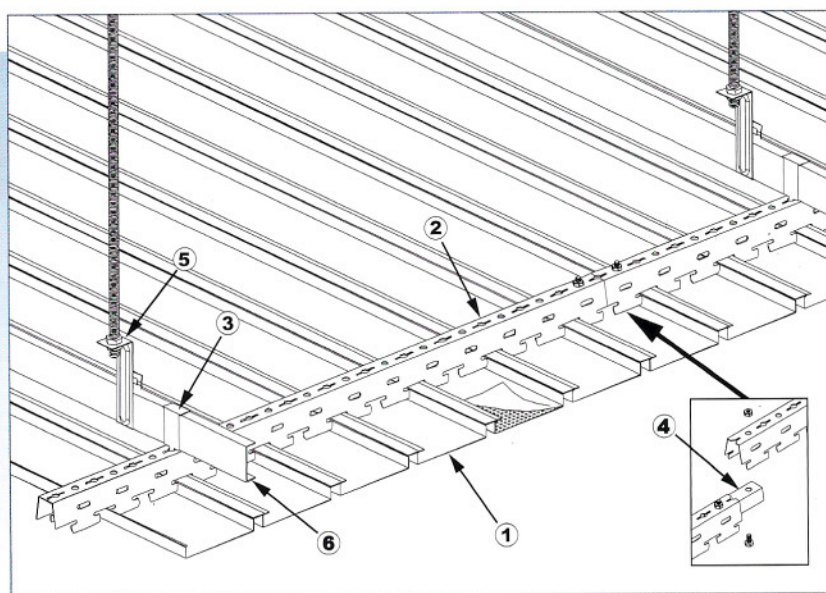
Perforation

Many perforation patterns available.

佈孔形式

多款佈孔形式提供選擇。

Model No. 型號	Dimension 規格尺寸
D-100	W100 x Lmm



Suspension Drawing : Linear Ceiling System
吊掛示意圖：有縫條型天花系統

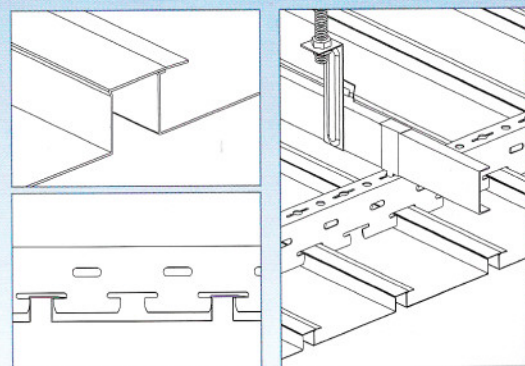


Fig.A
圖A

Fig.B
圖B

Linear Ceiling System

1. Ceiling Panel
2. D-shape Runner (D-101)
3. Runner Clamp (D-102)
4. Runner Connector (D-103)
5. C-Channel Bracket (D-104)
6. C-Channel (D-162)

有縫條型天花系統

- 條型天花板
- D型龍骨
- D型龍骨吊碼
- D型龍骨駁碼
- C型龍骨吊碼
- C型龍骨